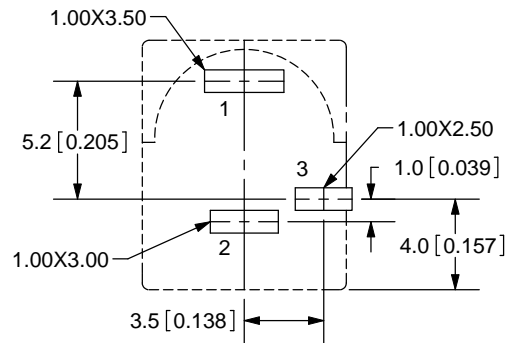
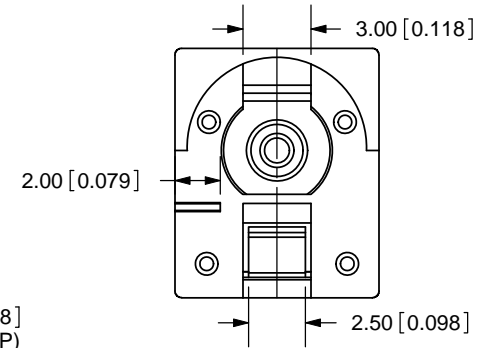
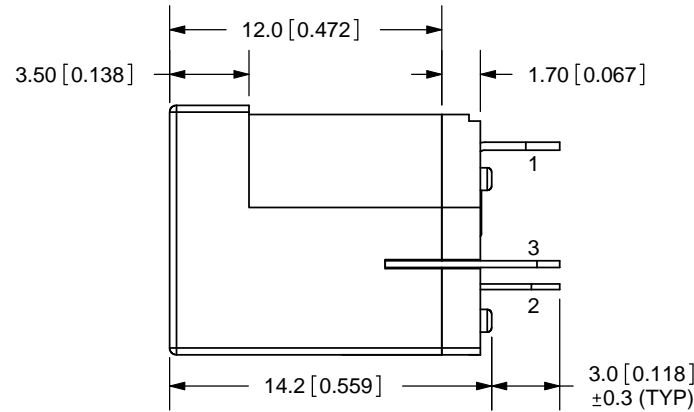
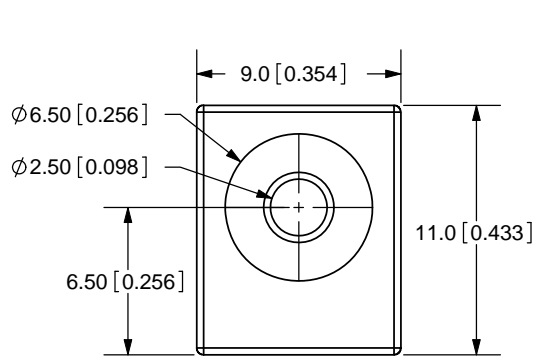
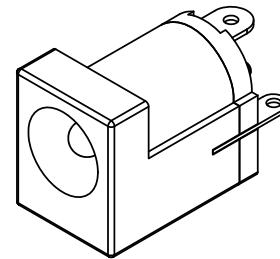


| REV. | DESCRIPTION | DATE      |
|------|-------------|-----------|
| A    | NEW DRAWING | 7/30/2007 |



PCB LAYOUT  
TOP VIEW



SCALE: 2:1

TOLERANCE:  
X.X±0.2mm  
X.XX±0.1mm  
X.XXX±0.05mm



| MODEL NO. | PJ-044BH |
|-----------|----------|
| SCHMATIC  |          |

CENTER PIN DIAMETER 2.50mm Dia.

**SPECIFICATIONS:**  
 RATING: 16V DC @ 5A  
 CONTACT RESISTANCE: 50m OHMS MAX  
 INSULATION RESISTANCE: 100M OHMS MIN: 500V DC  
 VOLTAGE WITHSTAND: 500V AC R.M.S. FOR 1 MINUTE  
 LIFE: 5,000 CYCLES

|            | MATERIAL     | PLATING |
|------------|--------------|---------|
| CENTER PIN | Brass        | Nickel  |
| TERMINAL 1 | Brass        | Silver  |
| TERMINAL 2 | Copper Alloy | Silver  |
| TERMINAL 3 | Brass        | Silver  |
| BODY       | PBT          |         |



**CUI INC**

20050 SW 112th Ave.  
 Tualatin, OR 97062  
 Phone: 503-612-2300  
 800-275-4899  
 Fax: 503-612-2383  
 Website: www.cui.com

|                      |                    |
|----------------------|--------------------|
| TITLE: DC POWER JACK | REV: A             |
| PART NO. PJ-044BH    | UNITS: MM [INCHES] |
| DRAWN BY: ZRJ        | APPROVED BY:       |
|                      | SCALE: 3:1         |

PC FILE NAME:  
PJ-044BH

COPYRIGHT 2007 BY CUI INC.